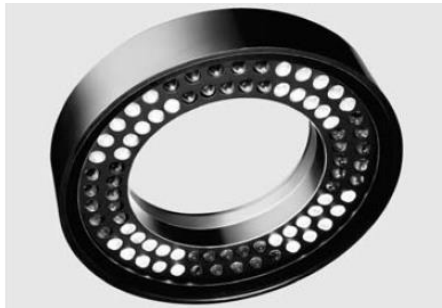
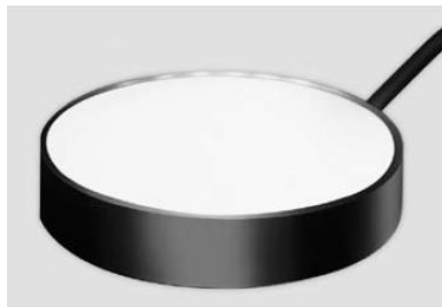


VisiLED Brightfield Lighthoods

Illumination system specially developed for stereo microscopy and macroscopy applications.



Brightfield ringlight, S80-55



Transmitted Light Stage

Features

- Easily adaptable to microscope objectives by means of thumb screw and clamp ring.
- Homogeneous illumination
- Long operating life: typically 50,000 h by actively controlling the LED's temperature.
- Segments controllable in different preset modes for optimum contrasting.



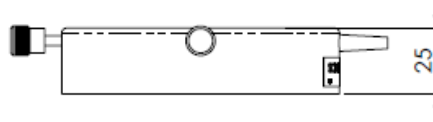
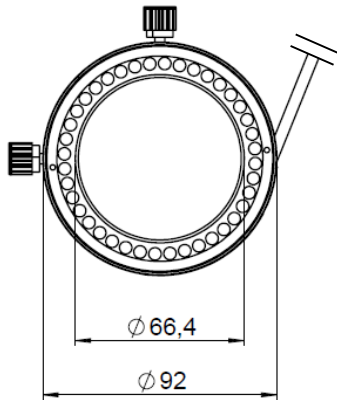
Lighthoods					
Description	Part-No.	Free working distance (FWD)	Max. illuminance	Inner Ø	Outer Ø
LED Brightfield ringlight "S40-75"	400 110	55-145 mm (2.17"-5.71")	110 klx (85 mm) (3.35")	66 mm (2.60")	92 mm (3.62")
LED Brightfield ringlight "S80-25"	400 225	25-50 mm (0.98"-1.97")	360 klx (30 mm) (1.18")	66 mm (2.60")	114 mm (4.49")
LED Brightfield ringlight "S80-55"	400 255	50-135 mm (2.17"-5.32")	200 klx (75 mm) (2.95")	66 mm (2.60")	114 mm (4.49")
LED Brightfield ringlight "S80-65 N"	400 265	35-100 mm (1.38"-3.94")	130 klx (55 mm) (2.17")	81 mm (3.19")	130 mm (5.12")
Transmitted light stage "TLS-BF"	400 400		20,000 cd/m ² (luminance in center)	active 50 mm (1.97")	84 mm (3.31")

Accessories	
Description	Part-No.
Combi-kit to combine one brightfield and the darkfield for mixed illumination. (not S80-65 N)	400 500
Polarization filter set for S80-55 brightfield ringlight.	400 550
Polarization filter attachment for transmitted light stage.	158 500
Protection window for brightfield ringlights (not S80-65 N)	400 560
Diffusor for brightfield ringlights (not S80-65 N)	400 570
Polarization filter set for S80-65 N brightfield ringlight.	400 665
Polarization filter set for S40-75 brightfield ringlight.	400 575
Diffusor for S40-75 brightfield ringlight	400 580

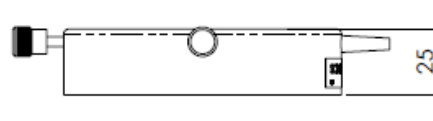
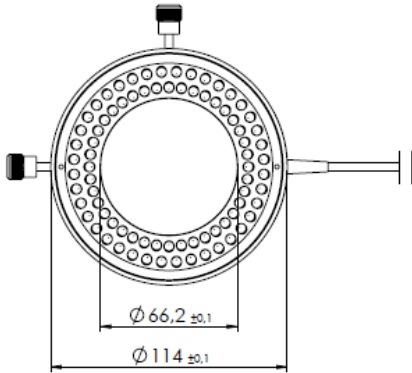
Version 09.2018



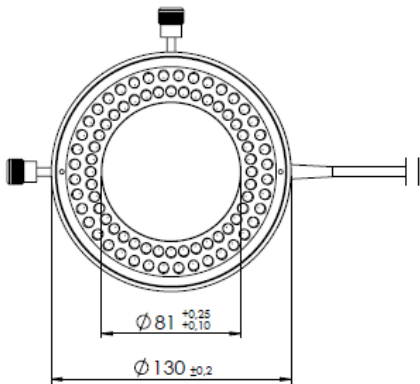
VisiLED Brightfield Lightheads



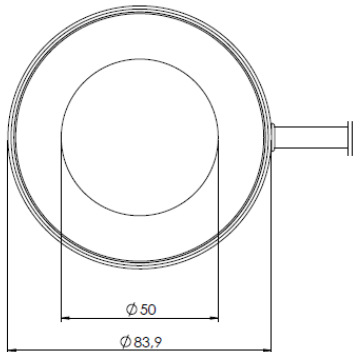
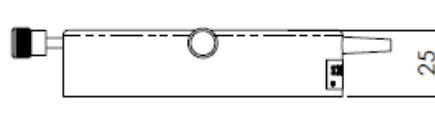
Brightfield ringlight S40-75



Brightfield ringlight S80-25, S80-55



Brightfield ringlight S80-65 N



Transmitted light stage

Objective adaptors for ringlights

Ø 58 mm to Ø 66 mm	157 450
Ø 60 mm to Ø 66 mm	157 452

All specifications are subject to change without prior notice. This datasheet or any extracts thereof may only be used in other publications with express permission of SCHOTT. © SCHOTT North America, Inc.

SCHOTT North America, Inc.
Lighting and Imaging
 122 Charlton Street
 Southbridge, MA 01550 USA
 phone: +1-508-765-3211
 fax: +1-508-764-6273
 lightingimaging@us.schott.com
 www.us.schott.com/lightingimaging

SCHOTT
 glass made of ideas